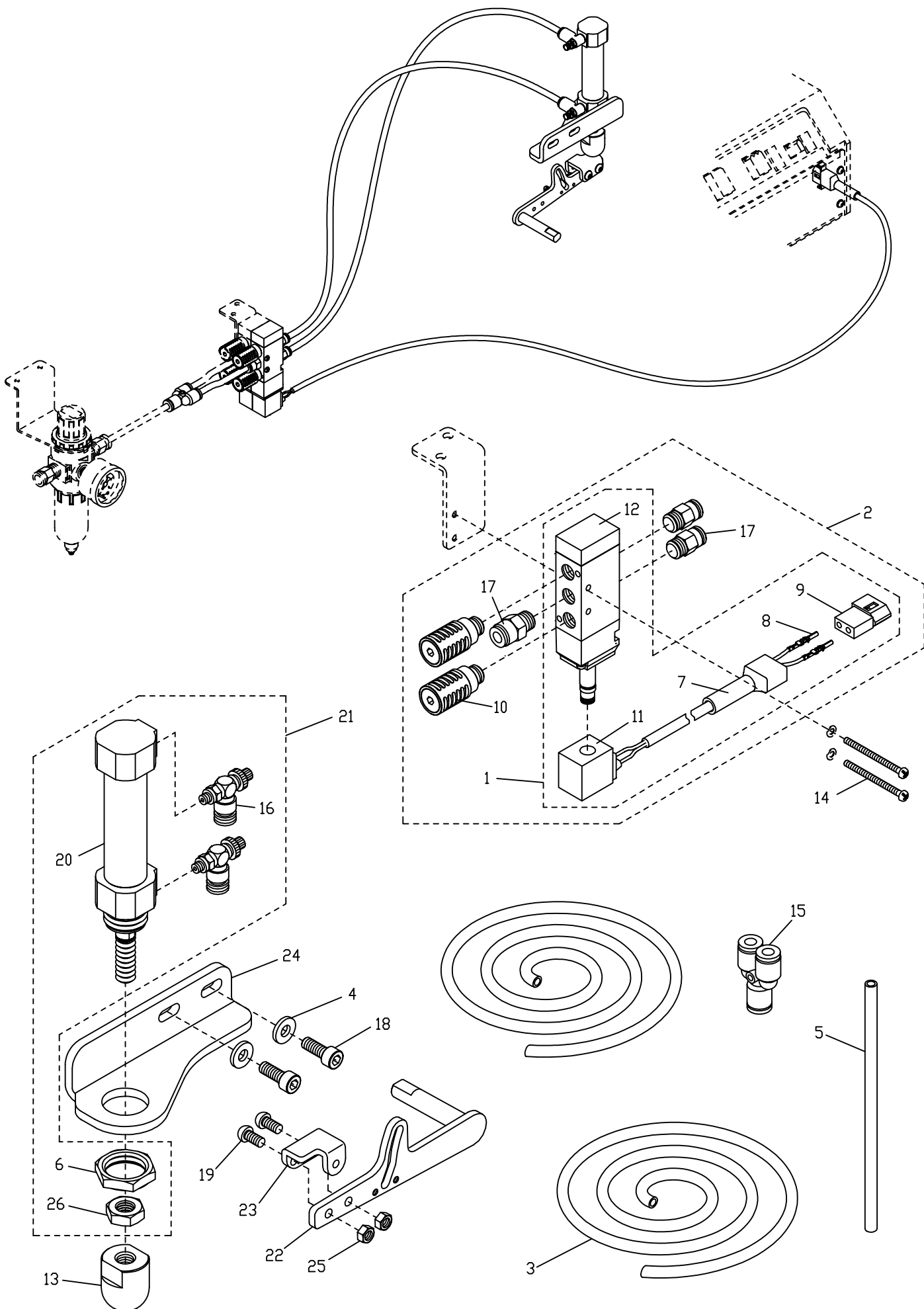


# 1.AL03N 氣動式壓腳提升裝置 (伺服馬達用)



# 1. AL03N 氣動式壓腳提昇裝置 ( 伺服馬達用 )

## Pneumatic Presser Foot Lifter For AL03N ( A/C Servo Motor Uses )

序號 Ref.No.	物料編號 Parts No.	名稱 Description	單位用量 Amt.Req.
1	4AL03BA0101	換向閥組 Electromagnetic Valve Asm. -----	1
2	4AL03BA0102	換向閥組 Electromagnetic Valve Asm. -----	1
3	4AL03B0103	φ 6空氣管 Air Tube ( L= 800mm ) -----	2
4	2100000323	墊圈 Washer -----	2
5	4CS0010216	φ 6空氣管 Air Tube ( L= 150mm ) -----	1
6	8MA22600627A	螺帽 Nut -----	1
7	4AL013013	連接器套頭2P Power cord cap -----	1
8	4AL013015	母端子 Power cord -----	2
9	4AL013017	2P母扣連接器 Power cord -----	1
10	4PA0000310	消音器 Silencer -----	2
11	4PA0000314	線圈 Solenoid (DC 24V) -----	1
12	4PA0000315	換向閥 Electromagnetic Valve -----	1
13	4PFE010113	套管 Clutch Sleeve -----	1
14	8MC03204006D	螺絲 Screw (CS0211 M3-0.5*40) -----	2
15	4TC012016	φ 6 Y型管接頭 Y Connector -----	1
16	4UTB000305	節流閥 Speed Controller -----	2
17	4UTB000312	φ 6空氣管接頭 Connector -----	3
18	8MM06401510A	螺絲 Screw (MT0845 M6-1*15) -----	2
19	8MP05321210A	螺絲 Screw (UTB0340 M5-0.8*11.5) -----	2
20	4UTB030223	氣壓缸 Cylinder -----	1
21	4UTB03A0217	氣壓缸組 Cylinder Asm-----	1
22	4UTC000108	揚昇臂 Lifter Arm -----	1
23	4UTC000109	輔助板 Supplementary Plate -----	1
24	4UTD020201	固定座 Bracker -----	1
25	8MA05320408A	螺帽 Nut (CT1028 M5-0.8*4) -----	2
26	8MA10600617A	螺帽 Nut -----	1

AL03N : FT7003 / FT7039 / FT7069 機型並配合伺服馬達使用 <型號HVP-60,HVP-70,HVP-90>

Must be used together with AC servo motor, HVP-60 or HVP-70 or HVP-90, for FT7003 / FT7039 / FT7069 three models.